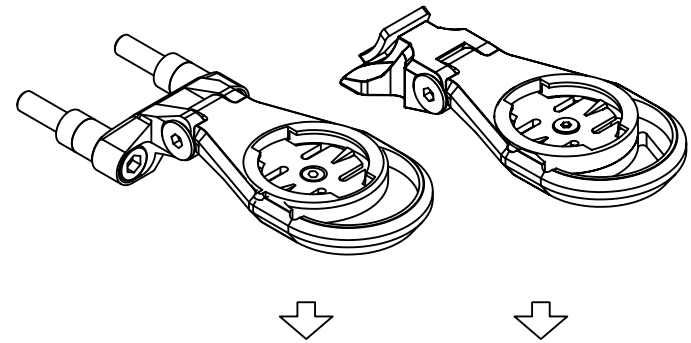




PRO Stem computer mount compatibility overview



PRO stem model	Article numbers	PRO computer mount	
		PRAC0247	PRAC0248
LT stem	PRSS0319-PRSS0334	✓	-
LT adjustable stem	PRSS0335-PRSS0336	✓	-
PLT Stem	PRSS0415-PRSS0423	✓	-
Vibe stem	PRSS0580-PRSS0585, PRSS0601-PRSS0605	-	-
Vibe stem 1 1/4	PRSS0590-PRSS0595, PRSS0611-PRSS0615	-	-
Vibe SL stem 1 1/8	PRSS0559-PRSS0565	✓	✓
Vibe SL stem 1 1/4	PRSS0569-PRSS0575	✓	✓
Vibe Carbon stem	PRSS0502-PRSS0507	-	✓
Discover stem	PRSS0550-PRSS0553	✓	-
LT stem	PRSS0545-PRSS0547	✓	-
Koryak stem	PRSS0530-PRSS0537	✓	-
Koryak E-performance stem	PRSS0540-PRSS0541	-	-
Tharsis alloy stem	PRSS0519-PRSS0523	✓	-
Tharsis CNC stem	PRSS0390-PRSS0392	-	-



Maximum weight limit of products attached to the computer mounts is 200 gram.