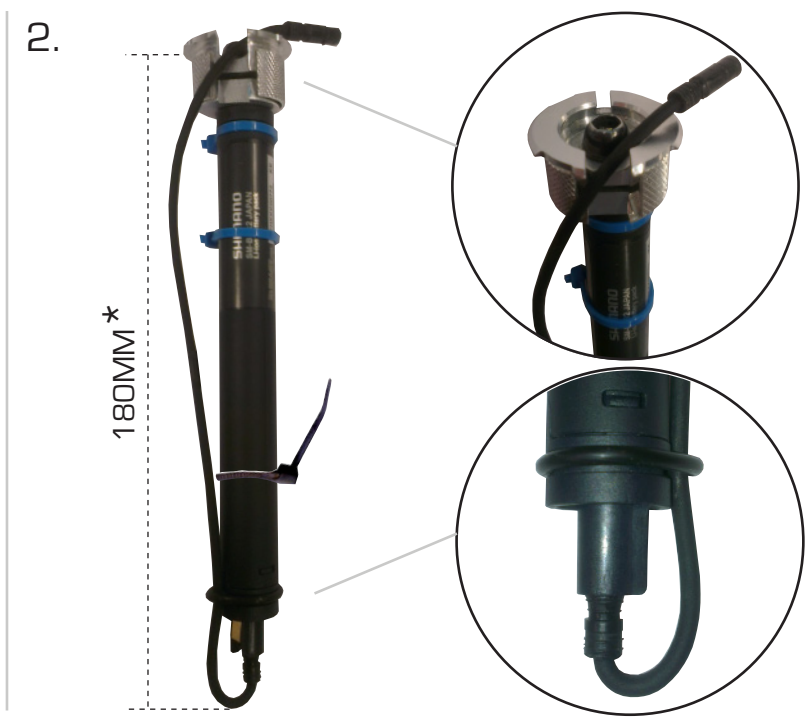
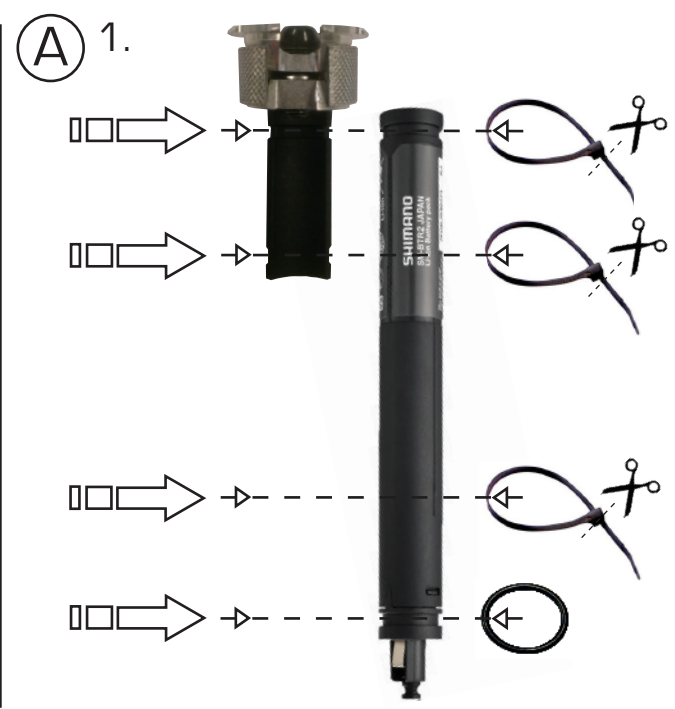
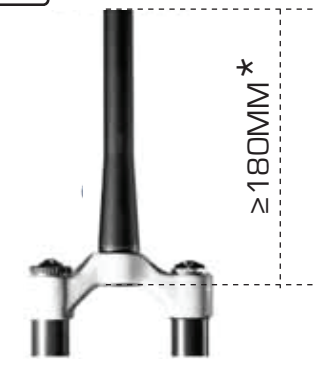


Di2 = (A) + (B) + (C)  
~~Di2~~ = (B) + (C)



KORYAK

**PRO**  
 POWERS YOUR PERFORMANCE  
[www.pro-bikegear.com](http://www.pro-bikegear.com)

PRSI040A  
 EXPANDER /  
 Di2 BATTERY  
 HOLDER

